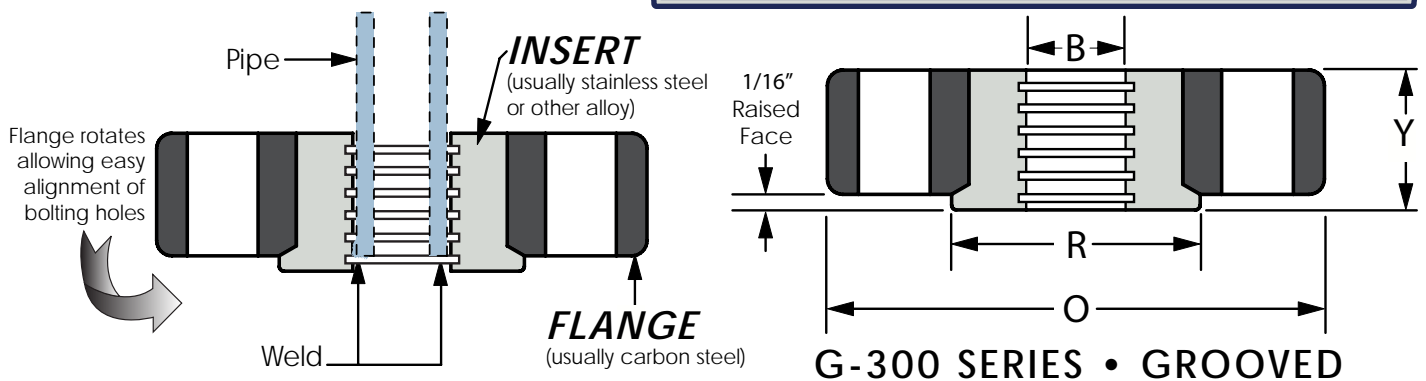




**CLASS 300#**  
ANSI B16.5 Conforming • Single Pipe  
Dimensional Data  
**SERIES# G-300 (ASME)**



**G-300 SERIES • GROOVED**

Part Number *see note 6.	Nominal Pipe Size	O (Outside Diameter)	R (Raised Face)	B (Inside Diameter)	Y (Overall Length)	# of Holes - Diameter	Bolt Circle Dia.	Estimated Weight (in lbs.)
G-300/.5	1/2"	3.75	1.38	0.85	0.75	4-0.63	2.63	1.00
G-300/.75	3/4"	4.63	1.69	1.06	0.88	4-0.75	3.25	1.50
G-300/1	1"	4.88	2.00	1.32	0.88	4-0.75	3.50	4.00
G-300/1.25	1-1/4"	5.25	2.50	1.67	1.00	4-0.75	3.88	6.00
G-300/1.5	1-1/2"	6.13	2.88	1.91	1.00	4-0.88	4.50	7.00
G-300/2	2"	6.50	3.63	2.38	1.13	8-0.75	5.00	13.00
G-300/2.5	2-1/2"	7.50	4.13	2.89	1.31	8-0.88	5.88	14.00
G-300/3	3"	8.25	5.00	3.52	1.38	8-0.88	6.63	16.00
G-300/3.5	3-1/2"	9.00	5.50	4.03	1.38	8-0.88	7.25	19.00
G-300/4	4"	10.00	6.19	4.52	1.38	8-0.88	7.88	22.00
G-300/5	5"	11.00	7.31	5.58	1.81	8-0.88	9.25	33.00
G-300/6	6"	12.50	8.50	6.66	1.81	12-0.88	10.63	47.00
G-300/8	8"	15.00	10.63	8.66	2.13	12-1.00	13.00	68.00
G-300/10	10"	17.50	12.75	10.79	2.56	16-1.13	15.25	95.00
G-300/12	12"	20.50	15.00	12.79	2.88	16-1.25	17.75	122.00
G-300/14	14"	23.00	16.25	14.06	3.50	20-1.25	20.25	271.00
G-300/16	16"	25.50	18.50	16.09	3.81	20-1.38	22.50	375.00
G-300/18	18"	28.00	21.00	18.10	4.06	24-1.38	24.75	450.00
G-300/20	20"	30.50	23.00	20.12	4.19	24-1.38	27.00	565.00
G-300/22	22"	33.00	25.25	22.14	5.06	24-1.63	29.25	752.00
G-300/24	24"	36.00	27.25	24.17	5.06	24-1.63	32.00	945.00

1. All dimensions in inches. The Y dimension includes the 1/16" raised face.
2. Tolerances and ratings are standard and conforming to ANSI B 16.5
3. Bolting is to SA-193 B7 and the gasket is spiral wound.
4. These flanges are engineered to conform to all flange pressure temperature ratings for the associated weight class. Due to the fact that an insert flange is a two-piece flange, it is made to a slightly thicker dimension than standard flanges.
5. Sizes not shown are available upon request.
6. Complete part number would have a "slash" "/" then material of the insert (ex. **G-300/2/316L** this would be a 2" insert flange with a 316L insert and carbon steel flange. If the flange is 316L, the part # would be G-300/2/316L-316L etc.
7. These dimensions are based on using stainless steel for the insert and carbon steel for the flange. Any changes in these types of material may result in an increase to the dimension of the flange thickness.
8. An insert and flange is sold together as one unit.