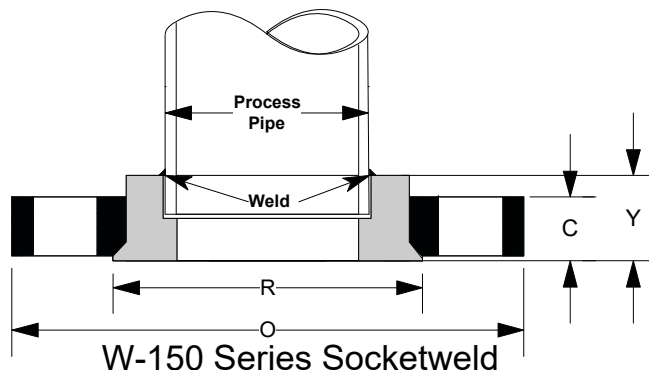




CLASS 150#
 ANSI B16.5 Conforming • Single Pipe
 Dimensional Data
SERIES # W-150 (ASME)



Part Number *see note 6.	Nominal Pipe Size	O (Outside Diameter)	R (Raised Face)	B (Inside Diameter)	C Flange Thickness	Y (Overall Length)	# of Holes - Diameter	Bolt Circle Dia.	Estimated Weight (in lbs.)
W-150/.5	1/2"	3.50	1.38	0.88	0.69	0.94	4 - 0.63	2.38	0.88
W-150/.75	3/4"	3.88	1.69	1.09	0.63	0.82	4 - 0.63	2.75	1.25
W-150/1	1"	4.25	2.00	1.36	0.69	0.88	4 - 0.63	3.12	2.25
W-150/1.25	1-1/4"	4.63	2.50	1.70	0.69	0.94	4 - 0.63	3.50	2.50
W-150/1.5	1-1/2"	5.00	2.88	1.95	0.69	0.94	4 - 0.63	3.88	4.00
W-150/2	2"	6.00	3.63	2.44	0.75	1.07	4 - 0.75	4.75	5.50
W-150/2.5	2-1/2"	7.00	4.13	2.94	0.88	1.19	4 - 0.75	5.50	7.00
W-150/3	3"	7.50	5.00	3.57	0.94	1.25	4 - 0.75	6.00	9.50
W-150/3.5	3-1/2"	8.50	5.50	4.07	1.00	1.38	8 - 0.75	7.00	10.75
W-150/4	4"	9.00	6.19	4.57	1.06	1.44	8 - 0.75	7.50	24.00
W-150/5	5"	10.00	7.31	5.66	1.19	1.62	8 - 0.88	8.50	29.00
W-150/6	6"	11.00	8.50	6.73	1.19	1.81	8 - 0.88	9.50	39.00
W-150/8	8"	13.50	10.63	8.73	1.19	1.87	8 - 0.88	11.75	58.00
W-150/10	10"	16.00	12.75	10.88	1.69	2.00	12 - 1.00	14.25	80.00
W-150/12	12"	19.00	15.00	12.88	1.88	2.68	12 - 1.00	17.00	130.00

Socket Weld insert flanges are generally only stocked up to 12" but custom larger sizes are available per special request. Please specify the pipe schedule you will be using with this flange.

- All dimensions in inches. The C and Y dimensions include the 1/16" raised face.
- Tolerances and ratings are standard and conforming to ANSI B 16.5
- Bolting is to SA-193 B7 and the gasket is spiral wound.
- These flanges are engineered to conform to all flange pressure temperature ratings for the associated weight class. Due to the fact that an insert flange is a two-piece flange, it is made to a slightly thicker dimension than standard flanges.
- Sizes not shown are available upon request.
- Complete part number would have a / then material of the insert, plus an added letter to denote the pipe schedule (sch. 40=G; sch 10=C; more schedules available upon request.) (ex. **W-150/2/316L-G** this would be a 2" socket-weld insert flange with a 316L insert and carbon steel flange for schedule 40 pipe.
- These dimensions are based on using stainless steel for the insert and carbon steel for the flange. Any changes in these types of material may result in an increase to the dimension of the flange thickness.
- An insert and flange is sold together as one unit.

Copyright © 2016 American Insert Flange Co., Inc. All Rights Reserved. • Phone: (302) 777-7464 • Fax: (302) 777-7465
 1603 Jessup Street, Suite 6, Wilmington, DE 19802 • Email: sales@AmericanInsertFlange.com
 Web Site: www.AmericanInsertFlange.com